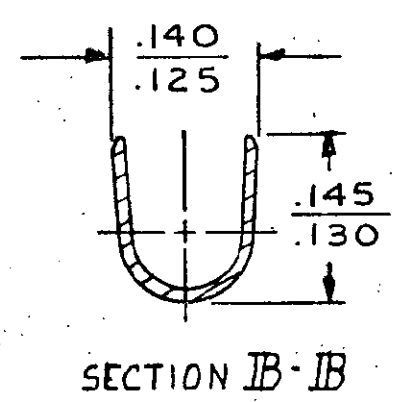
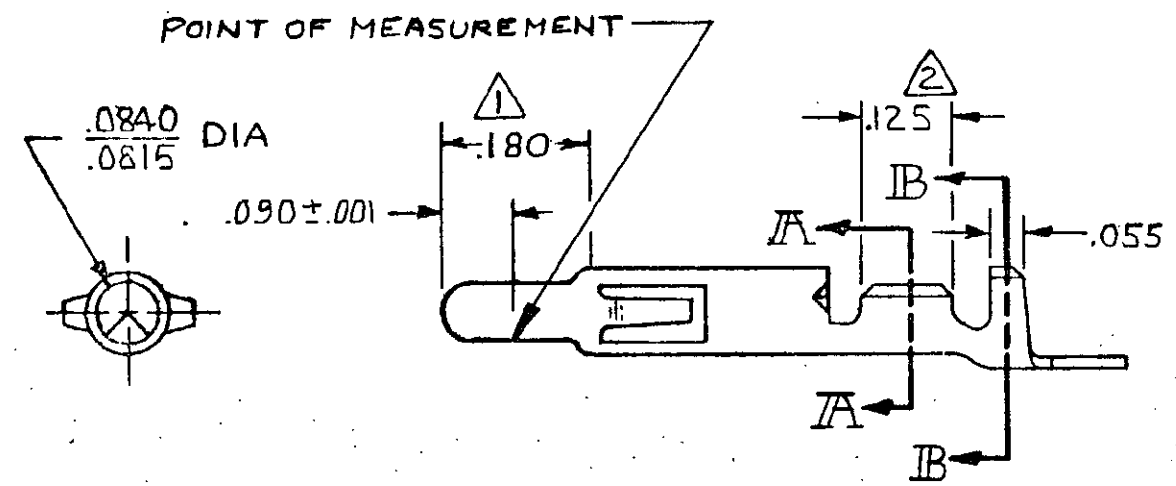
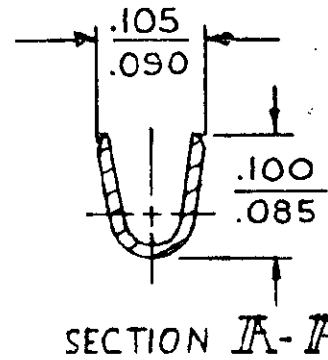
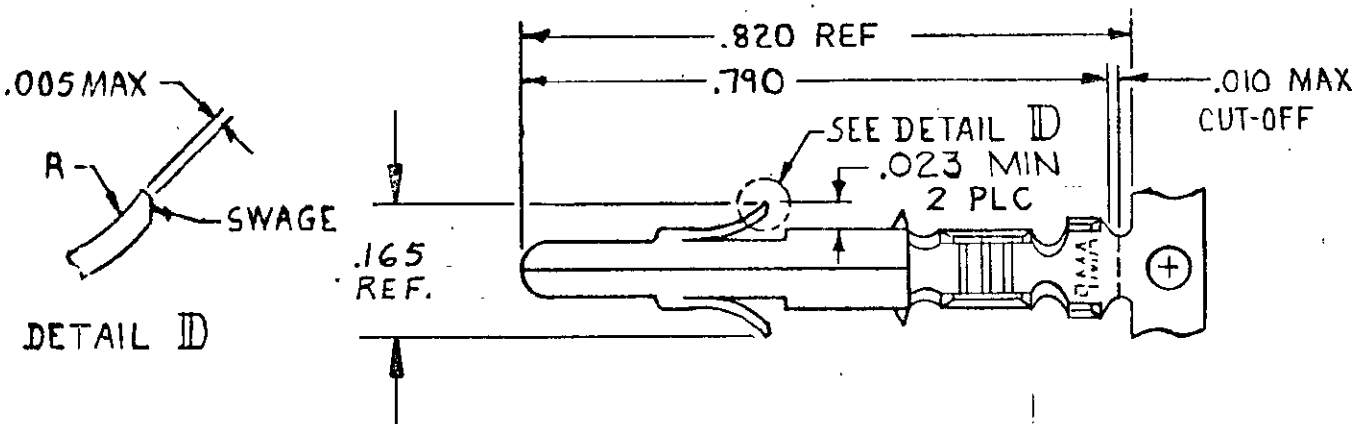


© COPYRIGHT 1973 BY AMP INCORPORATED, HARRISBURG, PA.
 ALL INTERNATIONAL RIGHTS RESERVED. AMP INCORPORATED PRODUCTS
 COVERED BY U. S. AND FOREIGN PATENTS AND/OR PATENTS PENDING.



		REVISIONS				
P	F	ZONE	LTR	DESCRIPTION	DATE	APPROVED
✓	✓		P	REDRAWN W/O CHANGE M-6457	6-5-81	MSF/DH
✓	✓		R	REVISED M-7350	7/25/83	DAS/DH
✓	✓		S	REVISED AG 57	10/20/83	SP/RS
✓			S	RESTORED	4/3/85	BK/RS
✓			T	REV PER ECN CM 115	8-6-85	CM/RS
✓			U	REVISED PER CM-1728	9-6-88	PH/TB
✓			V	REVISED PER CM-3286	2-7-91	PKC/RS
✓			W	REV PER EC 0730-3607-91	1-7-94	RV/RS
✓			Y	REV PER EC 0730-0141-94	7-26-94	RV/RS

- ① PLATED WITH .000030 GOLD, OVER .000050 NICKEL UNDERPLATE.
- ② PLATED INTERNALLY WITH .000030 GOLD.

350690-7	GOLD	①	.012 BRASS	350561-7
350690-3	PRE-TIN		.012 PH. BRZ.	350561-3
350690-2	GOLD	①/②	.012 BRASS	350561-2
350690-1	PRE-TIN			350561-1
LOOSE RECE (REF)	FINISH		MATERIAL	PART NO

UNLESS OTHERWISE SPECIFIED DIMENSIONS ARE IN INCHES. TOLERANCES ON: DECIMALS ± .010 ANGLES ± .010	CONTRACT NO		AMP AMP INCORPORATED Harrisburg, Pa.	
	DR M. FEHER 5-6-81			
WIRE RANGE 24-18 AWG	CHK	NAME PIN, UNIVERSAL MATE-N-LOK		
	DR Heide 6/9/81		SIZE	CODE IDENT NO
INSULATION RANGE .100 DIA MAX	APPD	DRAWING NO		
	DR Pal... 6-10-81		B	00779
	DSGN APPD	SCALE 4-1		SHEET #
	OTHER APPD			